

ESTELLE | 209

BACK: LOOSE, KNIFE EDGE, WELT
DETAIL AT CUSHION

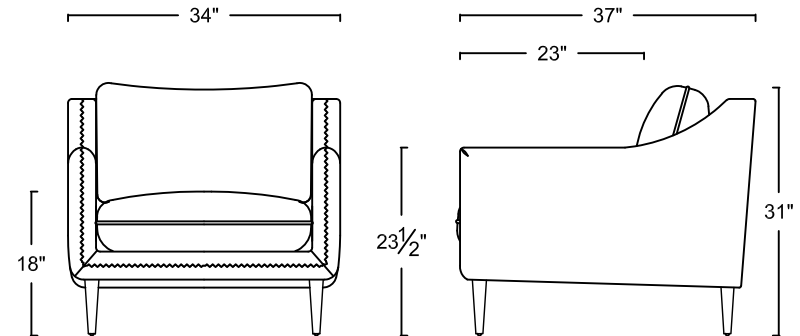
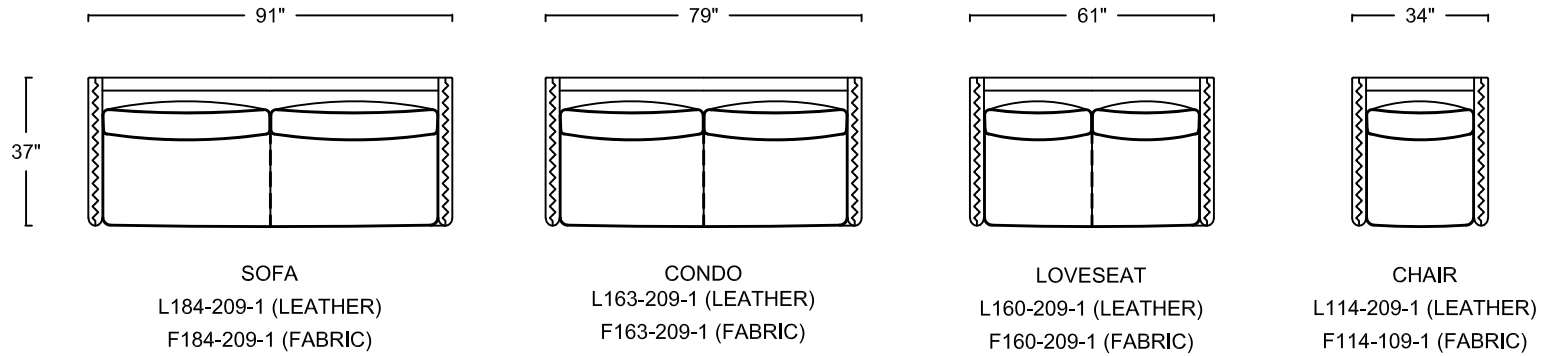
SEAT: LOOSE, KNIFE EDGE CUSHION,
WELT AT CUSHION

BODY: DECORATIVE STITCHES DETAIL

LEGS: WOOD, TAPERED

AVAILABLE WOOD FINISHES:

- NATURAL
- WALNUT
- JAVA
- COFFEE BEAN
- BLACK
- ASH



SCALE: 1/4" = 1'-0". L OR R REFER TO LEFT- OR RIGHT- FACING, AS DETERMINED BY FACING THE PIECE.
 BEYOND SEATING RESERVES THE RIGHT TO CHANGE DIMENSIONS AND PRODUCTS OFFERED. A MORE RECENT SCHEMATIC MAY BE AVAILABLE FOR THIS COLLECTION. TO SEE THE MOST CURRENT SCHEMATIC AVAILABLE, VISIT WWW.BEYONDSEATING.COM.
 THIS SCHEMATIC IS CURRENT AS OF 03/2019