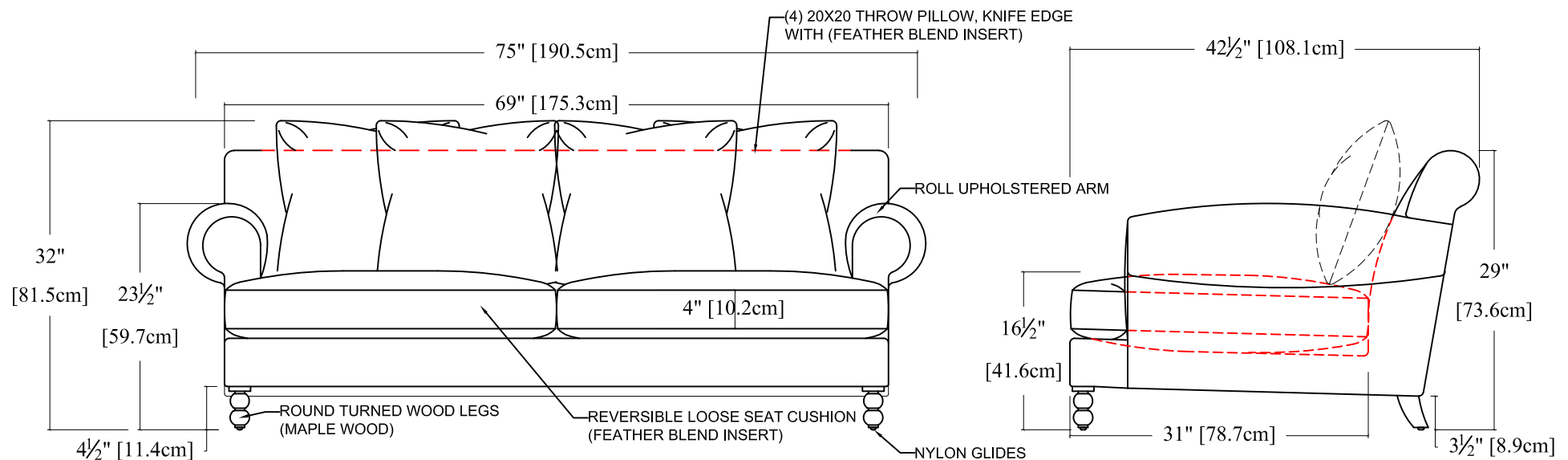


LEGS ON WALNUT FINISH - 5% SHEEN



PROJECT: Ola 2 Seater
 CUSTOMER: Soho home
 C.ITEM:XXXX BEYOND ST:F163-413-5
 PO # :XXXX SO # :XXXX
 DATE :2-5-21 DRAWING BY:JH

DRAWING APPROVED
 BY: _____
 DATE: _____
 SCALE: 3/4" = 1' - 00"
 SHEET:1 OF 1

SPECIFICATIONS:
SIZE: 75"W x 42.5"D x 31"H x 16.5"SH x 31"SD x 23.5"AH
 -MATERIAL: HARDWOOD / HARD PLYWOOD
 -UPHOLSTERY: NOTED ON SPEC. SHEET
 -COM: AS NOTED ON SPEC. SHEET
 -FINISH: AS NOTED ON SPEC. SHEET

DIMENSIONS FOR FINISH PRODUCT TOLERANCES: +/- 1/2" MANUFACTURER CAN CHANGE ITEM TO REINFORCE FRAME STRUCTURE.

CLIENT TO CONFIRM THAT ALL BEYOND SEATING PRODUCTS CAN EASILY AND PROPERLY BE PLACED INTO DESIGNATED SPACES--i.e., ACCOUNT FOR CLEARANCES THROUGH DOORS, HALLWAYS, ELEVATORS, ETC. BEYOND SEATING WILL NOT BE HELD LIABLE IF CLIENT FAILS TO NOTIFY PRIOR TO APPROVAL OF SHOP DRAWINGS, AND PRODUCT SAMPLES.