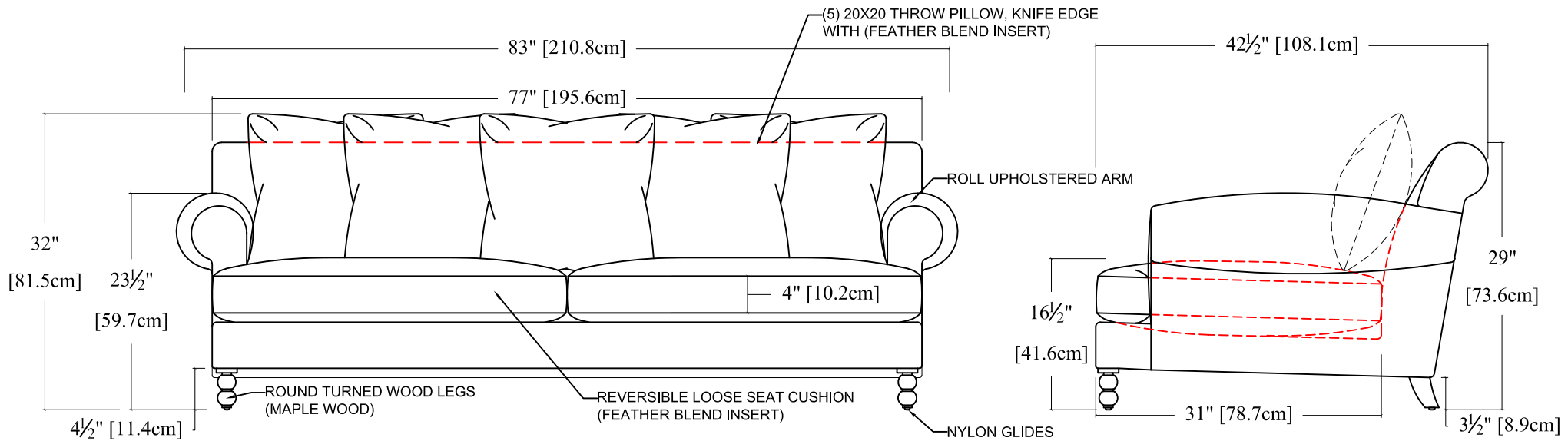


**LEGS ON WALNUT
FINISH - 5% SHEEN**



	PROJECT: Ola Sofa		DRAWING APPROVED		SPECIFICATIONS: SIZE: 83"W x 42.5"D x 31"H x 16.5"SH x 31"SD x 23.5"AH -MATERIAL: HARDWOOD / HARD PLYWOOD -UPHOLSTERY: NOTED ON SPEC. SHEET -COM: AS NOTED ON SPEC. SHEET -FINISH: AS NOTED ON SPEC. SHEET
	CUSTOMER: Soho home		BY: _____		
	C.ITEM:XXXX	BEYOND ST:F184-413-5	DATE: _____		
	PO # :XXXX	SO # :XXXX	SCALE: 3/4" = 1' - 00"	QUANTITY:1	
	DATE :11-04-20	DRAWING BY:JH	SHEET:1 OF 1		
DIMENSIONS FOR FINISH PRODUCT TOLERANCES: +/- 1/2" MANUFACTURER CAN CHANGE ITEM TO REINFORCE FRAME STRUCTURE.		CLIENT TO CONFIRM THAT ALL BEYOND SEATING PRODUCTS CAN EASILY AND PROPERLY BE PLACED INTO DESIGNATED SPACES--i.e., ACCOUNT FOR CLEARANCES THROUGH DOORS, HALLWAYS, ELEVATORS, ETC. BEYOND SEATING WILL NOT BE HELD LIABLE IF CLIENT FAILS TO NOTIFY PRIOR TO APPROVAL OF SHOP DRAWINGS, AND PRODUCT SAMPLES.			