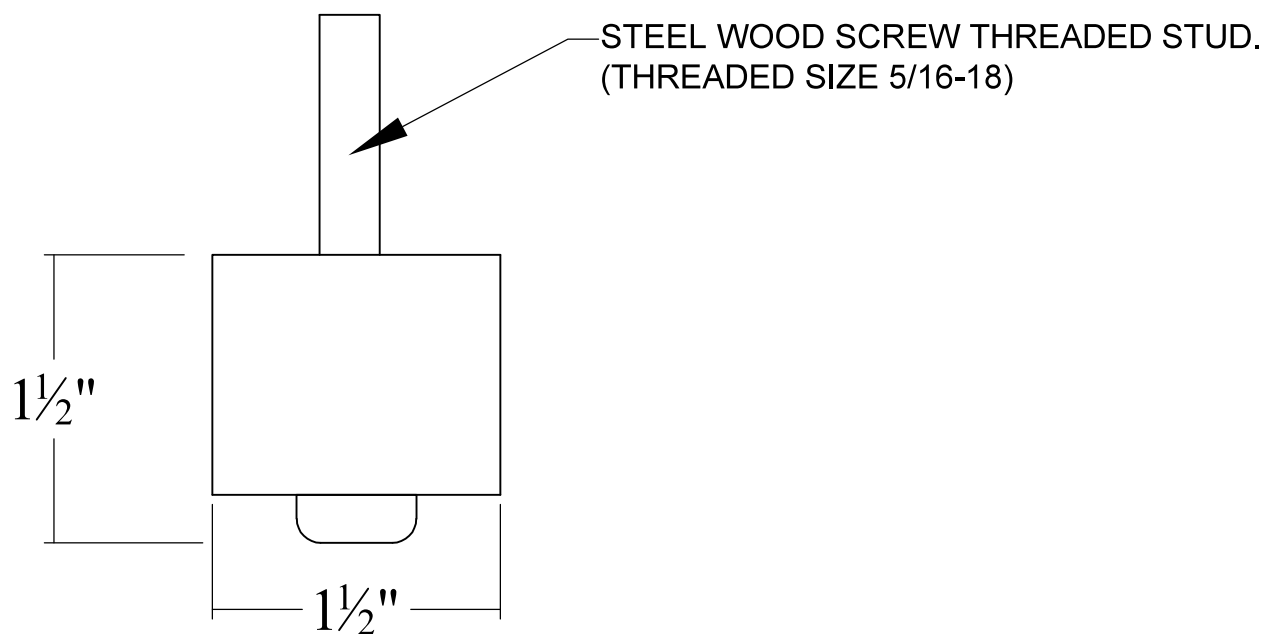
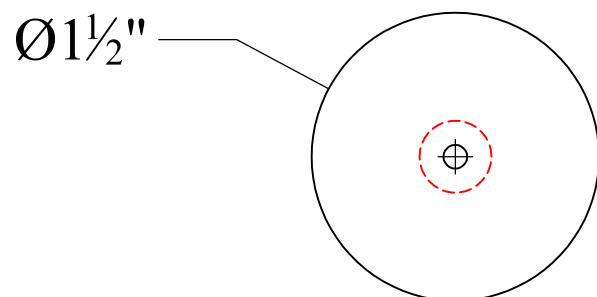


UPDATE: 3-11-20



Beyond ST#:UL-226

QUANTITY:

SPECIFICATIONS:
Size:

NOTES:
-MATERIAL: BEECH WOOD

DRAWING BY: JH
DATE: 3-11-20
SCALE: 1" = 1'-0"
SHEET: 1 OF 1

DIMENSIONS FOR FINISH
PRODUCT TOLERANCES :+/- 1/16"
MANUFACTURER CAN CHANGE
ITEM TO REINFORCE
FRAME STRUCTURE.