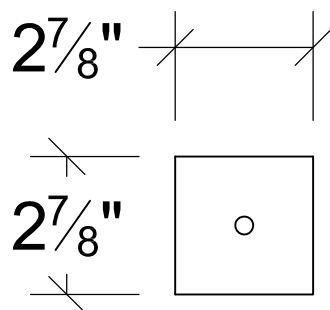
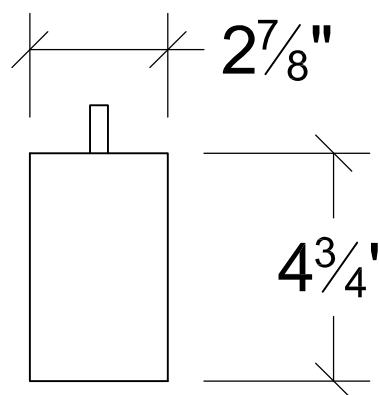
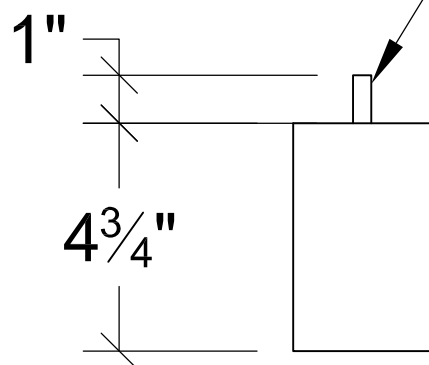


UL195-323Q HEADBOARD (LEGS)
 WOOD POST BED QUEEN SIZE
 WITH EASE EDGES
 QTY 2



5/16 - 18 WOOD SCREW
 THREADED STUD



QUEEN SIZE

BEYOND ST ITEM
 #: UL195-323Q

QUANTITY:

SPECIFICATIONS:
 Size: 2-7/8"W x 2-7/8"D x 4-3/4"H

NOTES:
 -MATERIAL: Red Oak

DRAWING BY: JH
 DATE: 1-4-20
 SCALE: 3" = 1'-0"
 SHEET: 2 OF 3

DIMENSIONS FOR FINISH
 PRODUCT TOLERANCES :+/- 1/16"
 MANUFACTURER CAN CHANGE
 ITEM TO REINFORCE
 FRAME STRUCTURE.