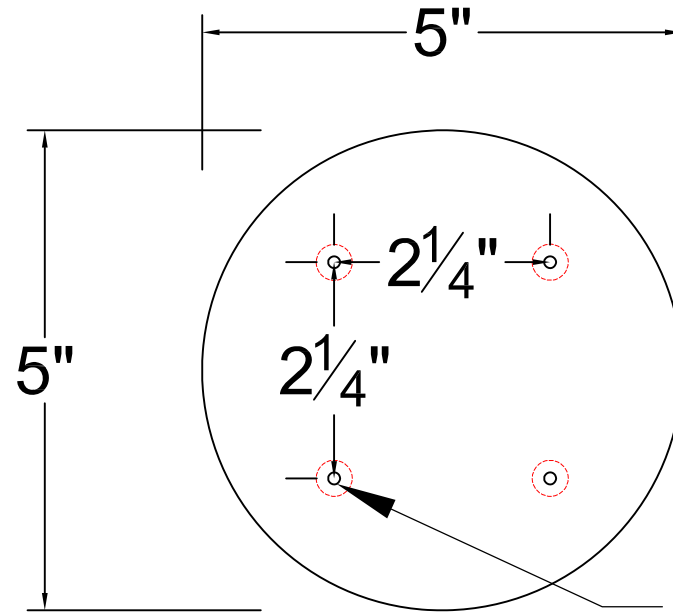
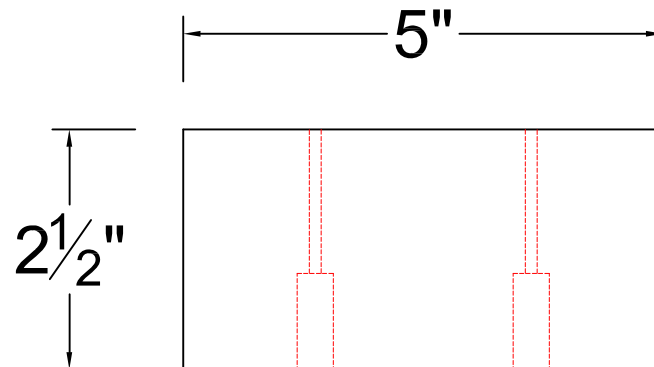


# WL398 TOB LEG



4 PILOT HOLES



PROJECT NAME

BEYOND ST ITEM  
#: WL398

SPECIFICATIONS:  
Size: 5"W x 5"D x 2-1/2"H

NOTES:  
-MATERIAL: BEECH WOOD

DRAWING BY: DM  
DATE: 1-29-20  
SCALE: 6" = 1'-0"  
SHEET: 1 OF 1

DIMENSIONS FOR FINISH  
PRODUCT TOLERANCES :+/- 1/16"  
MANUFACTURER CAN CHANGE  
ITEM TO REINFORCE  
FRAME STRUCTURE.